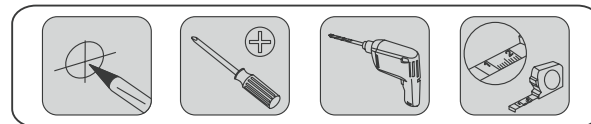


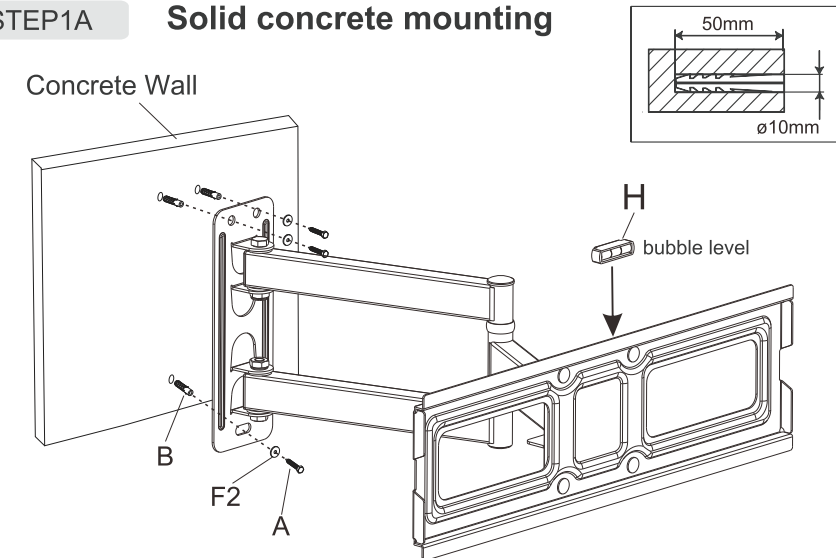
**WARNING :**

1. The wall installed TV bracket must be firmness and tightness, such as concrete wall, solid brick wall and solid wood wall. Do not install on hollow and floppy walls.
2. Tighten screw so that wall plate is firmly attached, but do not overtighten. Overtightening can damage the screws, greatly reducing their holding power.
3. Do not remove screw or loosen screw until it is no longer engaged with the mount. Doing so may cause the screen to fall.
4. For security option, tighten all the screws with security allen wrench.
5. Plat panel TV mounts should be installed by expert.

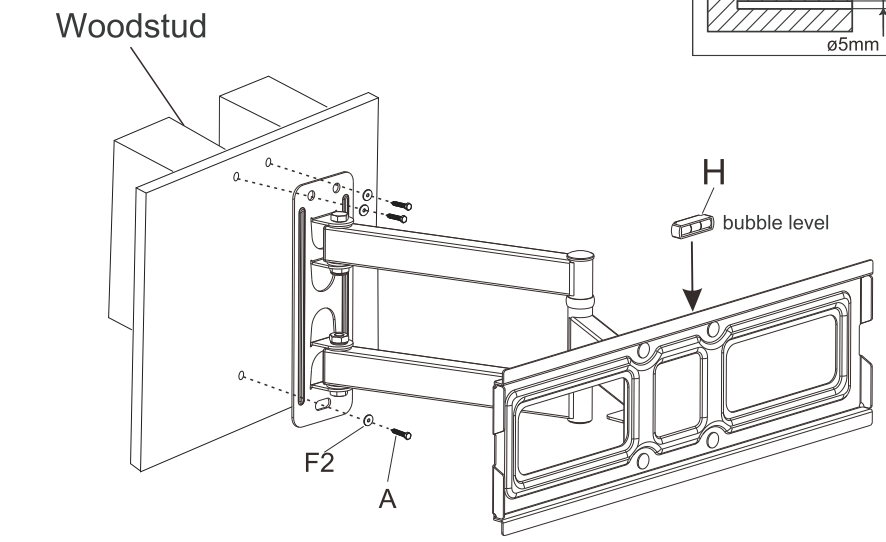
A		3PCS	F1		4PCS
B		3PCS	F2		7PCS
C		4PCS	G		4PCS
D		4PCS	H		1PCS
E		4PCS			



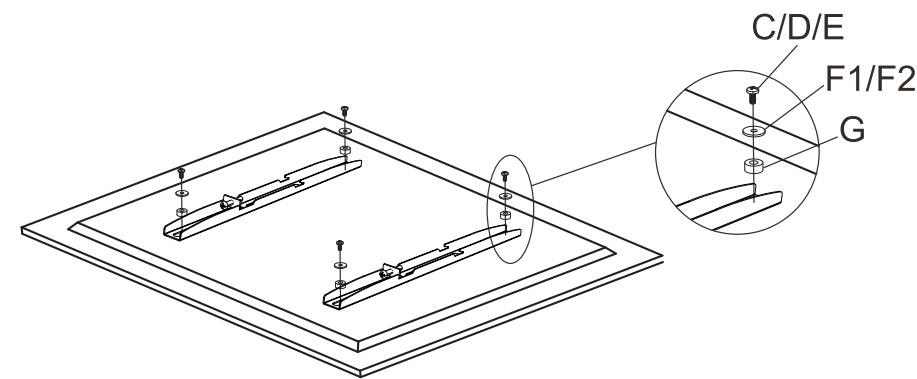
**STEP1A Solid concrete mounting**



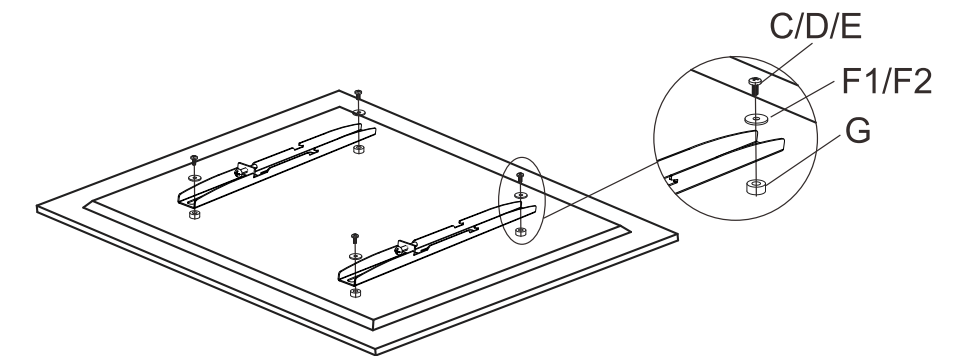
**STEP1B Woodstud mounting**



**STEP2A Attaching brackets to screen**



**STEP2B For TVs with a curved back or obstruction**



**STEP3 Hang the TV onto the wall plate**

