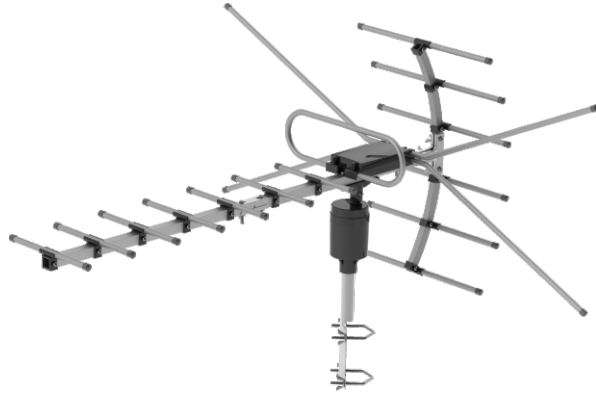


# 32K 80G铜版纸 双面黑白印刷

## leadzm

### TA-001 Remote Antenna Installation Assembling Procdeure



#### Package Contents

NO.	NAME	Qty.	Image
1	Bundling tube	1	
2	Reflective net main rod	1	
3	Rear section of main rod	1	
4	Front section of main rod	1	
5	U-band vibrator	1	
6	Antenna head	1	
7	Screw package	1	
8	Power Remote control	1	

