

IMPORTANT, RETAIN FOR FUTURE REFERENCE: READ CAREFULLY.

Only for domestic use

Use tips:

- *Put the chair stably on a flat floor.
- *Mount the garden chairs in the shelter of the weather.
- *Stay away from open flames.
- *Don't hang anything in the structure.
- *Avoid the overload at the anchors/structure.
- *It is advised that don't stay on the chairs when there is a storm.
- *Do not use in adverse weather condition and cover furniture when not in use.

Precautions before assembly:

- *Prepare a clean and dry mounting area.
- *Verify that the product is not damaged.
- *Check that none of the pieces are missing.

Maintenance:

- *Clean with a soft fabric.
- *Regularly remove leaves and / or water collected on the canvas.
- *Check the chair regularly.

Storage conditions:

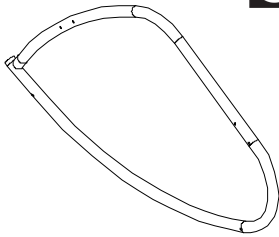
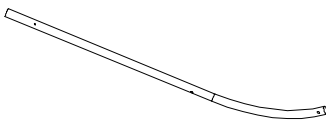
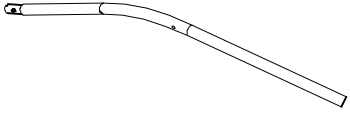
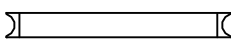
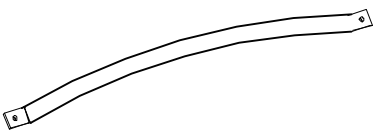
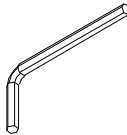

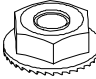


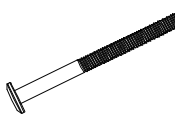



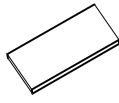
- *The fabric should be stored completely dry, in a clean and dry place to avoid the risks of mold.

Maintenance:

- *Don't use this product if the seat cloths, cloth cushion or tarpaulins are ageing, and contact our customer service.

Caution with the risks of pinching or cuts during assembly.

The manufacturer declines all responsibility in case of damages due to a bad installation or due to weather.

 <p>① x 2</p>	 <p>② x 2</p>	 <p>③ x 2</p>
 <p>④ x 4</p>	 <p>⑤ x 2</p>	 <p>⑥ x 1</p>
 <p>⑦ x 1</p>	 <p>⑧ x 4 M6 +1 (spare)</p>	 <p>⑨ x 4 M6*15 +1 (spare)</p>
 <p>⑩ x 8 M6*50 +1 (spare)</p>	 <p>⑪ x 4 M6*70 +1 (spare)</p>	 <p>⑫ x 12 Ø6.5*0.8 +1 (spare)</p>
 <p>⑬ x 4 Ø6.5*4 +1 (spare)</p>	 <p>⑭ x 1 178*54cm</p>	 <p>⑮ x 1 30*15.5*3.5</p>

EN_Do not confuse similar screws.Do not tighten bolts fully until all parts are connected!

FR_Ne pas confondre des vis similaires.Ne serrez pas les boulons à fond tant que toutes les pièces ne sont pas connectées!

ES_No confunda tornillos similares.No apriete los tornillos completamente hasta que todas las partes están conectadas!

PT_Não confundir parafusos semelhantes. Não apertar completamente os parafusos até que todas as peças estejam encaixadas!

DE_Verwechseln Sie ähnliche Schrauben nicht.Ziehen Sie die Schrauben erst fest an, wenn alle Teile verbunden sind!

IT_Non confondere le viti simili.non serrare completamente i bulloni fino a tutte le parti non sono ancora collegate!

NOTE

