
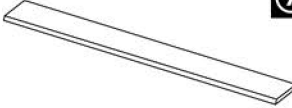

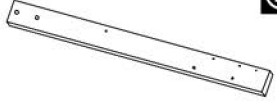
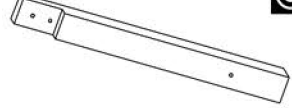
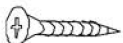

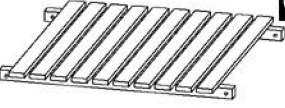

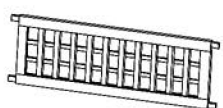
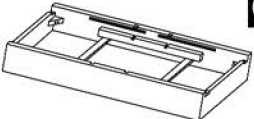

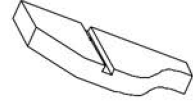
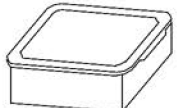





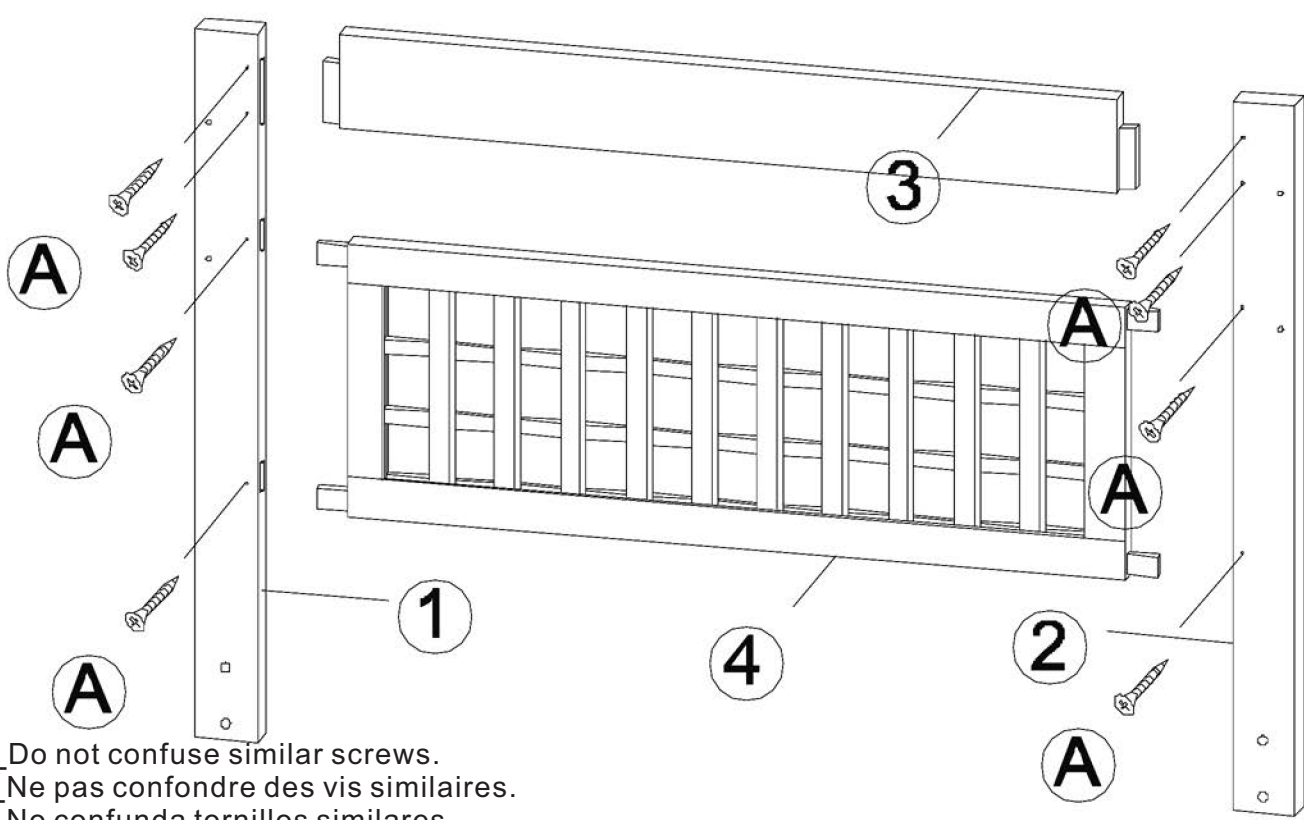


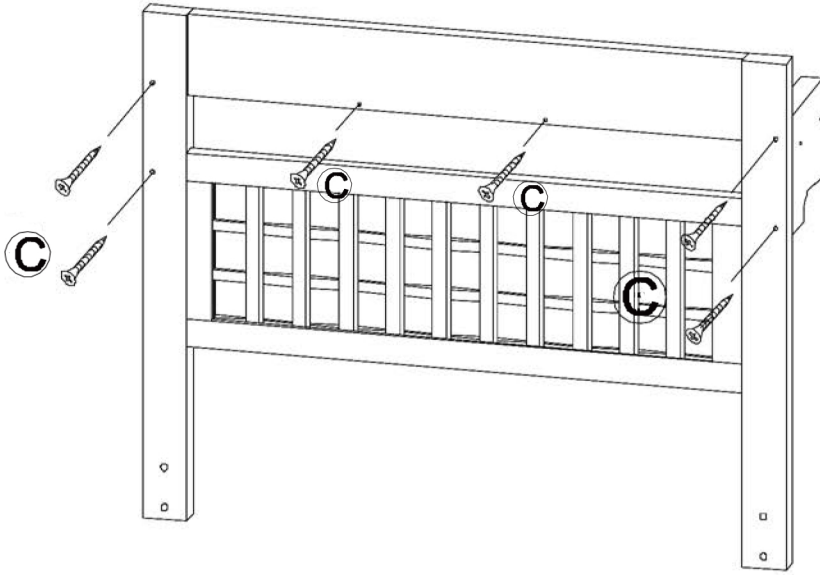
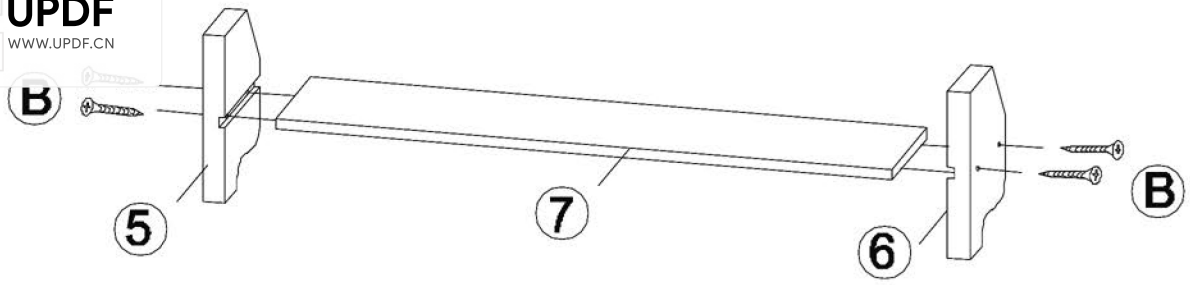
| | | |
|------------------------------------------------------------------------------------------------|------------------------------------------------------------------------------------------------|--------------------------------------------------------------------------------------------------------------------------|
|  ① x 1 |  ⑦ x 1 |  ⑬ x 1 |
|  ② x 1 |  ⑧ x 4 |  A x 8 1 spare 3*16mm |
|  ③ x 1 |  ⑨ x 1 |  B x 4 4.2*30mm |
|  ④ x 1 |  ⑩ x 1 |  C x 10 1 spare 4.2*35mm |
|  ⑤ x 1 |  ⑪ x 1 |  D x 4 6*65mm |
|  ⑥ x 1 |  ⑫ x 1 |  E x 4 6*50mm |
| | |  F x 4 6*70mm |

A x 8

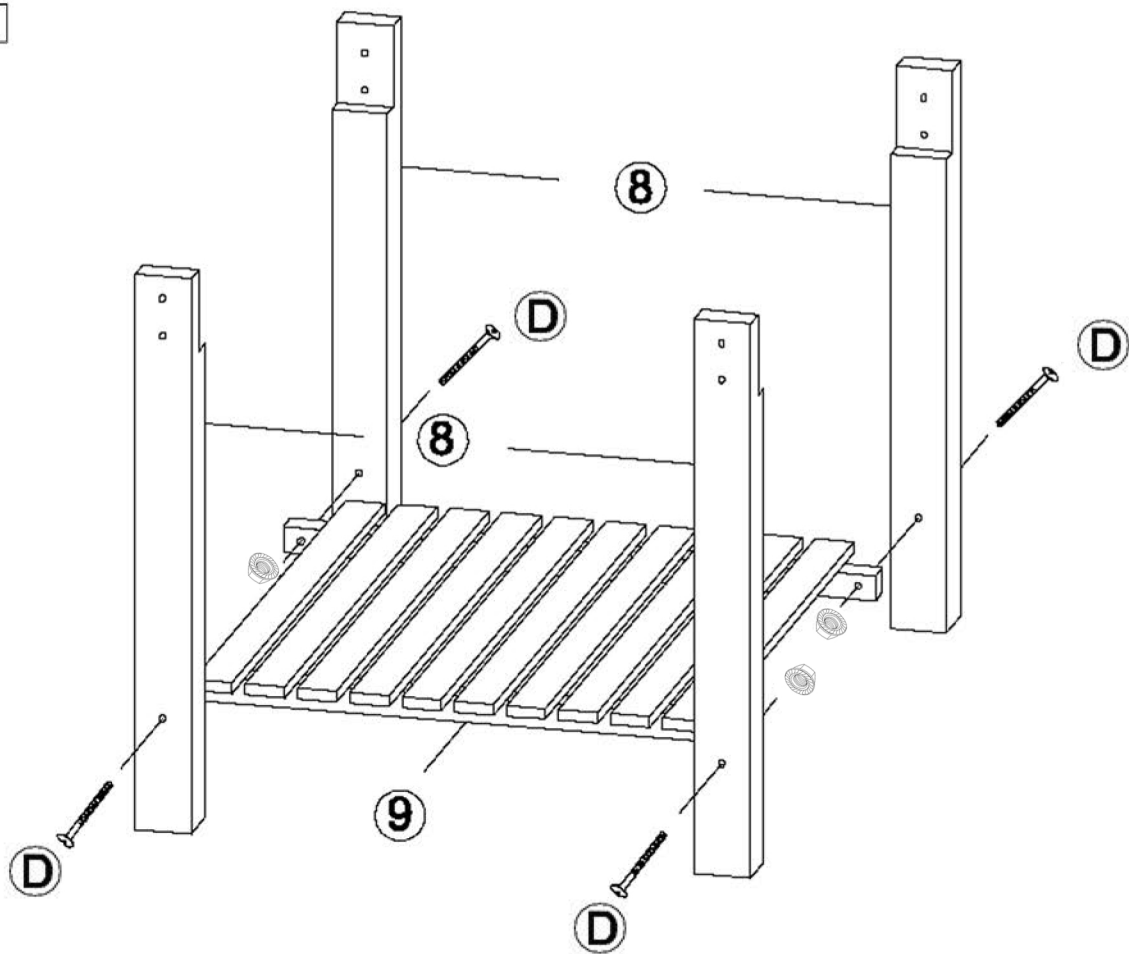
01



EN Do not confuse similar screws.
FR Ne pas confondre des vis similaires.
ES No confunda tornillos similares.
PT Não confundir parafusos semelhantes.
DE Verwechseln Sie ähnliche Schrauben nicht.
IT Non confondere le viti simili.

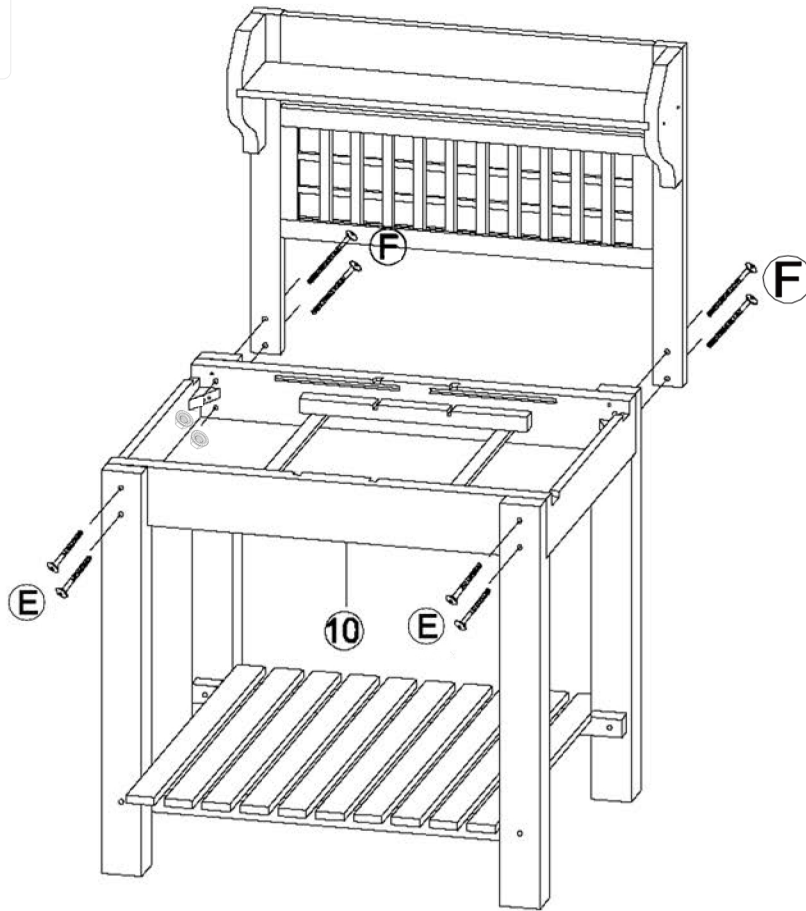


Dx4





E x 4



C x 4

