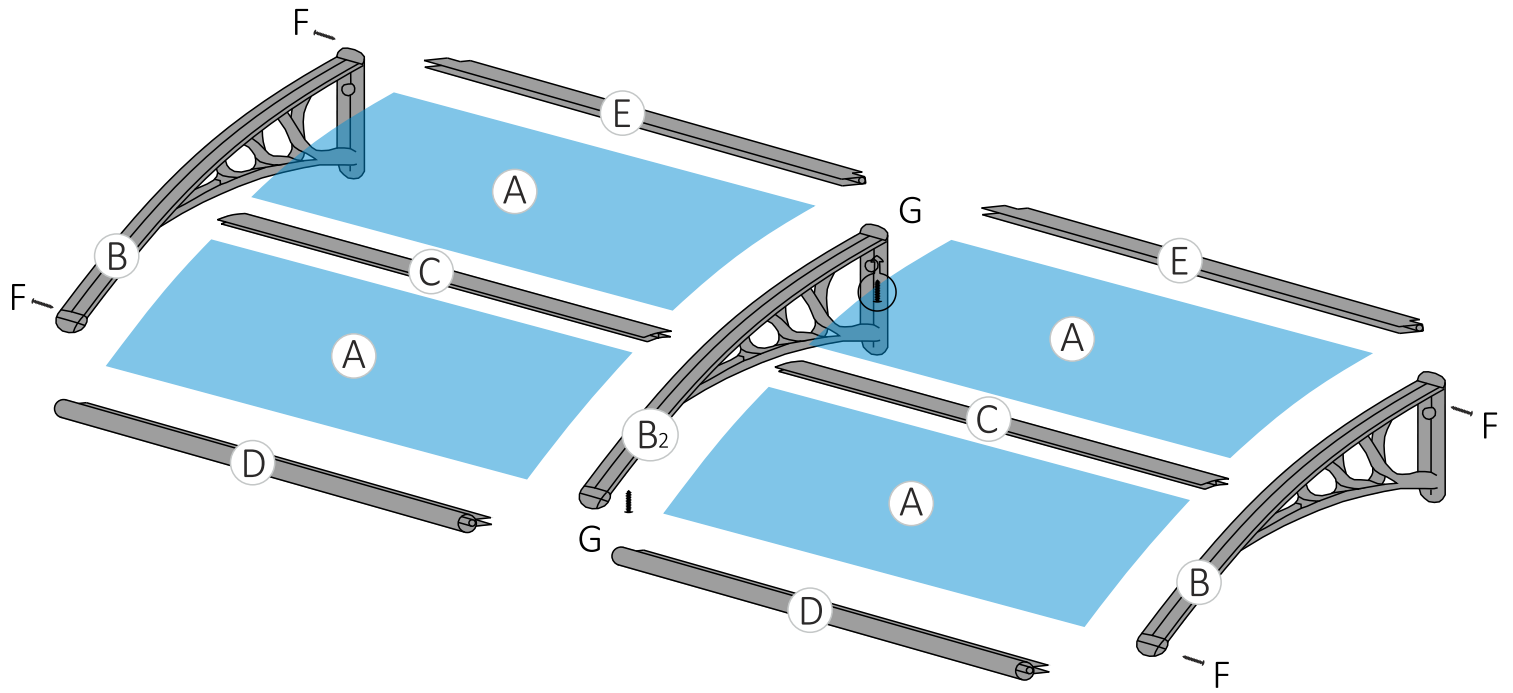


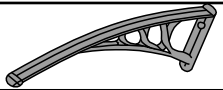
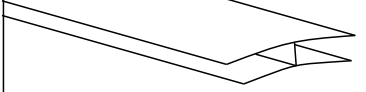





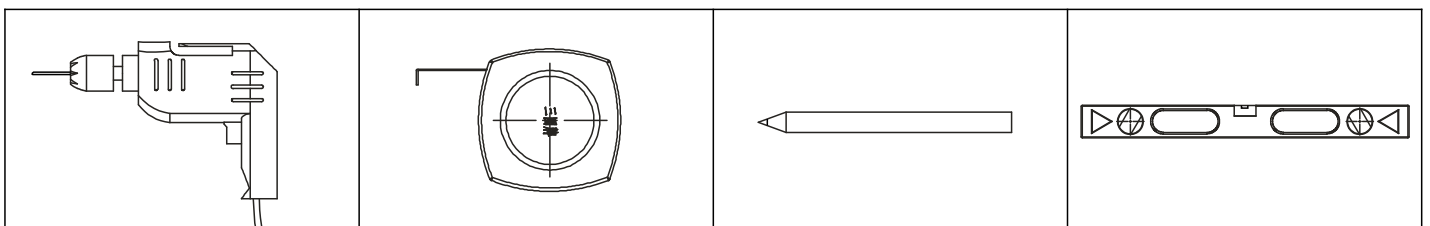


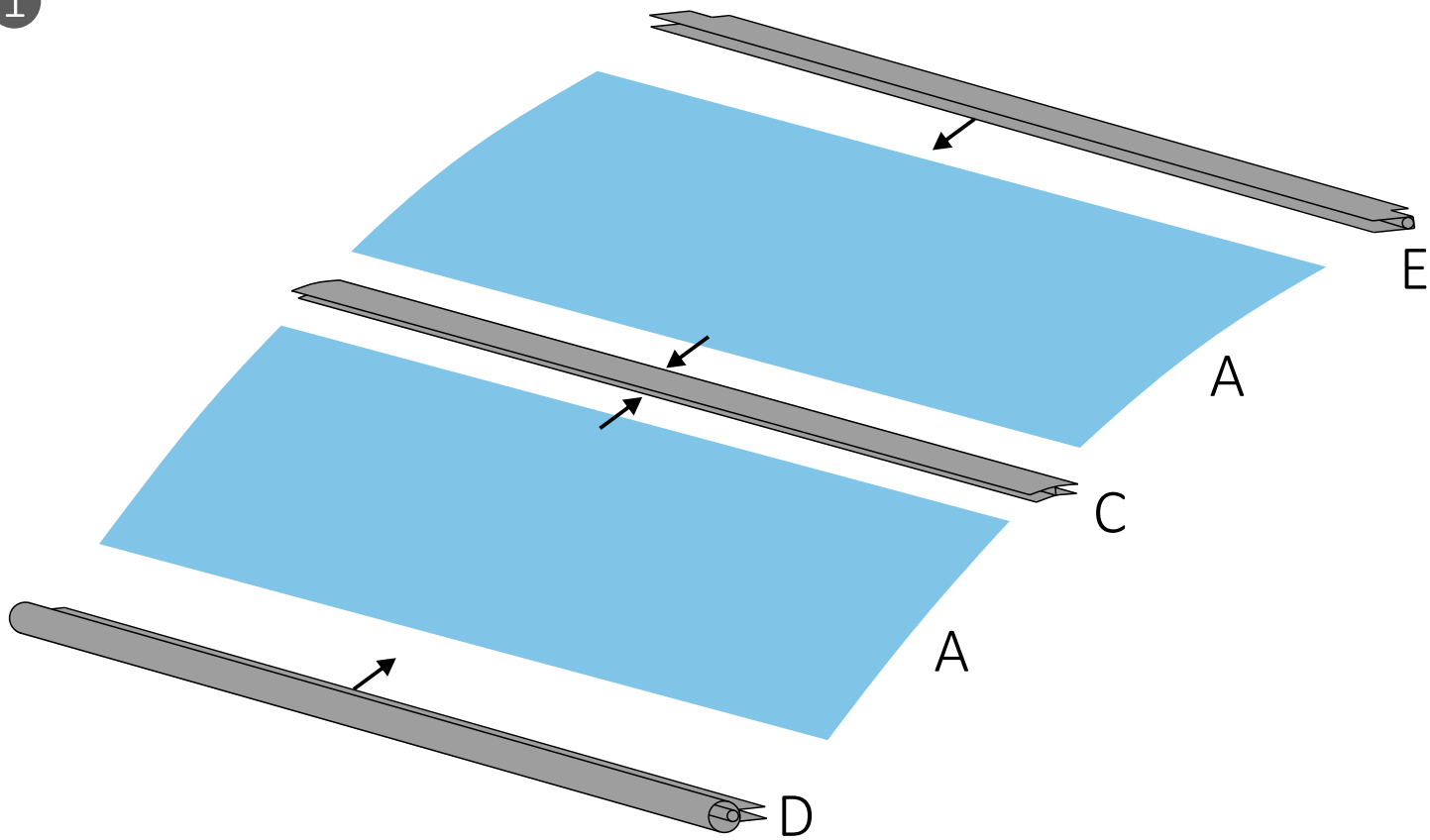
Assembly Instruction



A	4x	PC Board	
B	2x	Bracket	
B ₂	1x	Middle one has holes	
C	2x	H Bar	
D	2x	Front Bar	
E	2x	Back Bar	
F	4x	Screws	
G	4x	Sharp Screws	
H	6x	Screwset	

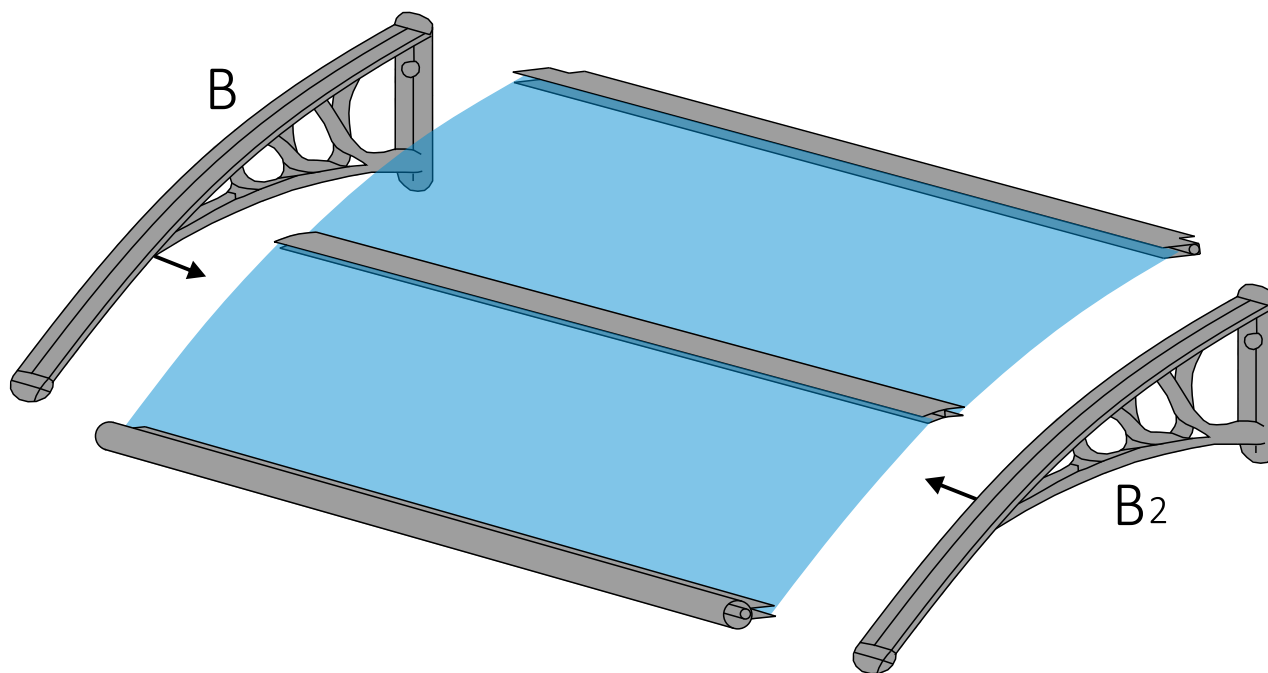


1



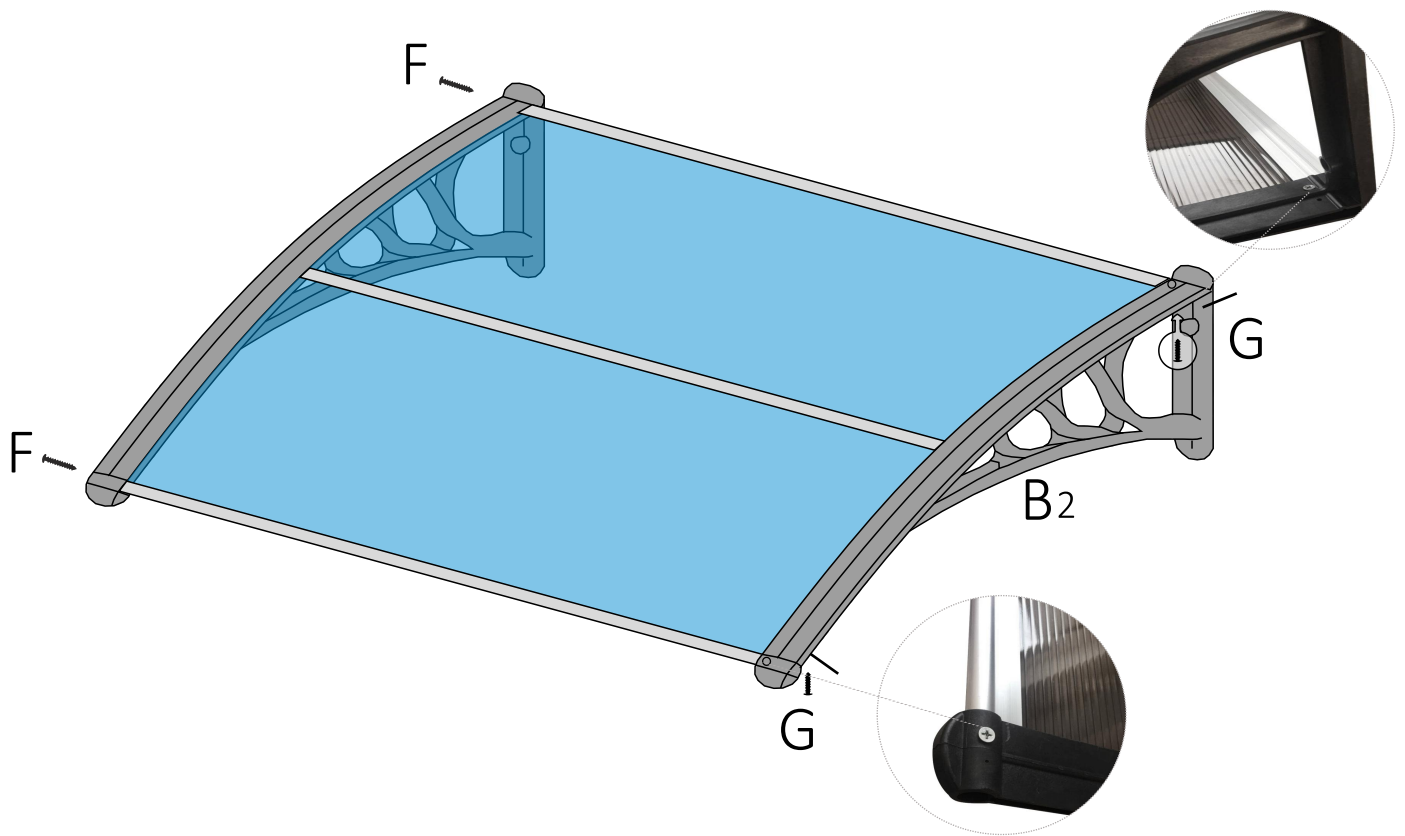
Place the roof plates (2XA) on the connection profile (C) and a front profile (D) a wall profile (E)

2



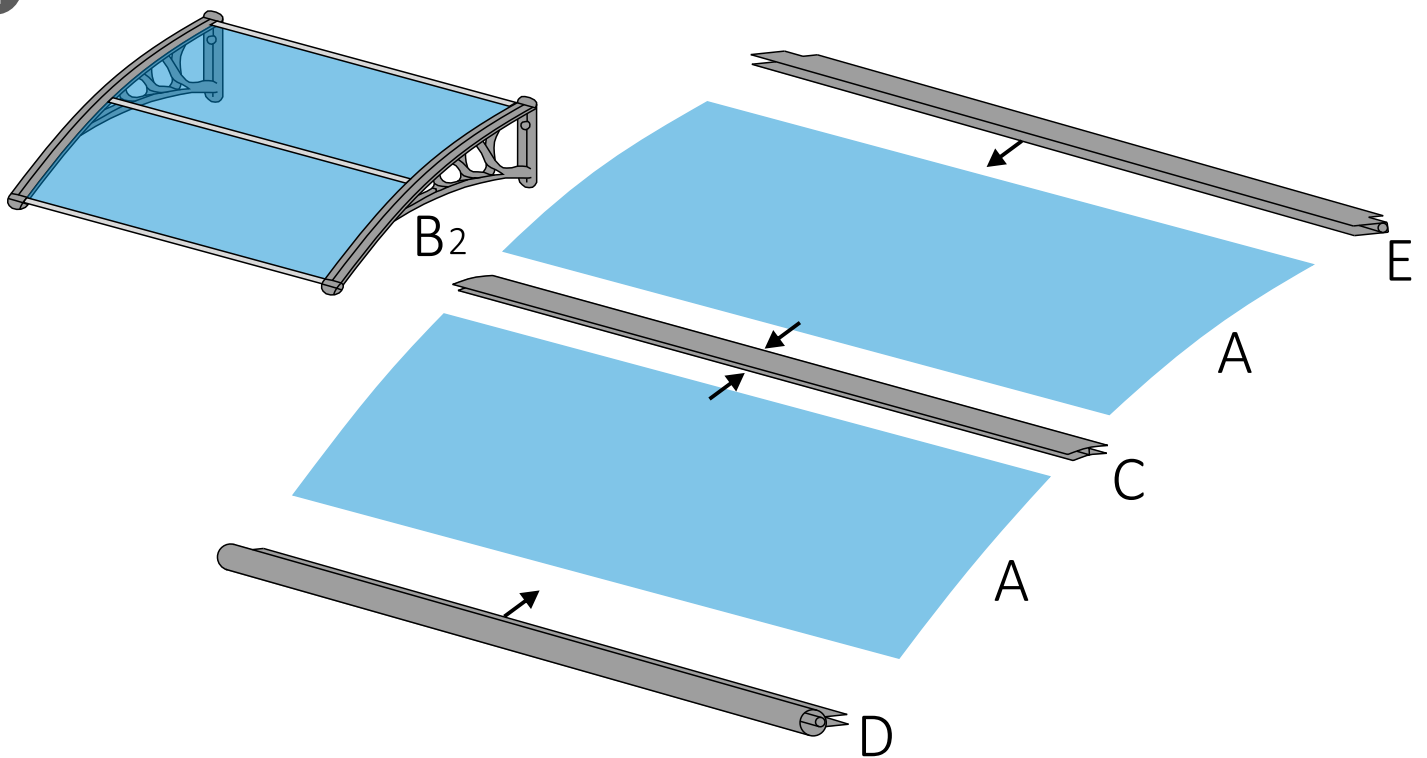
Place the holder (B) and (B2) on the roof plates (A)

3



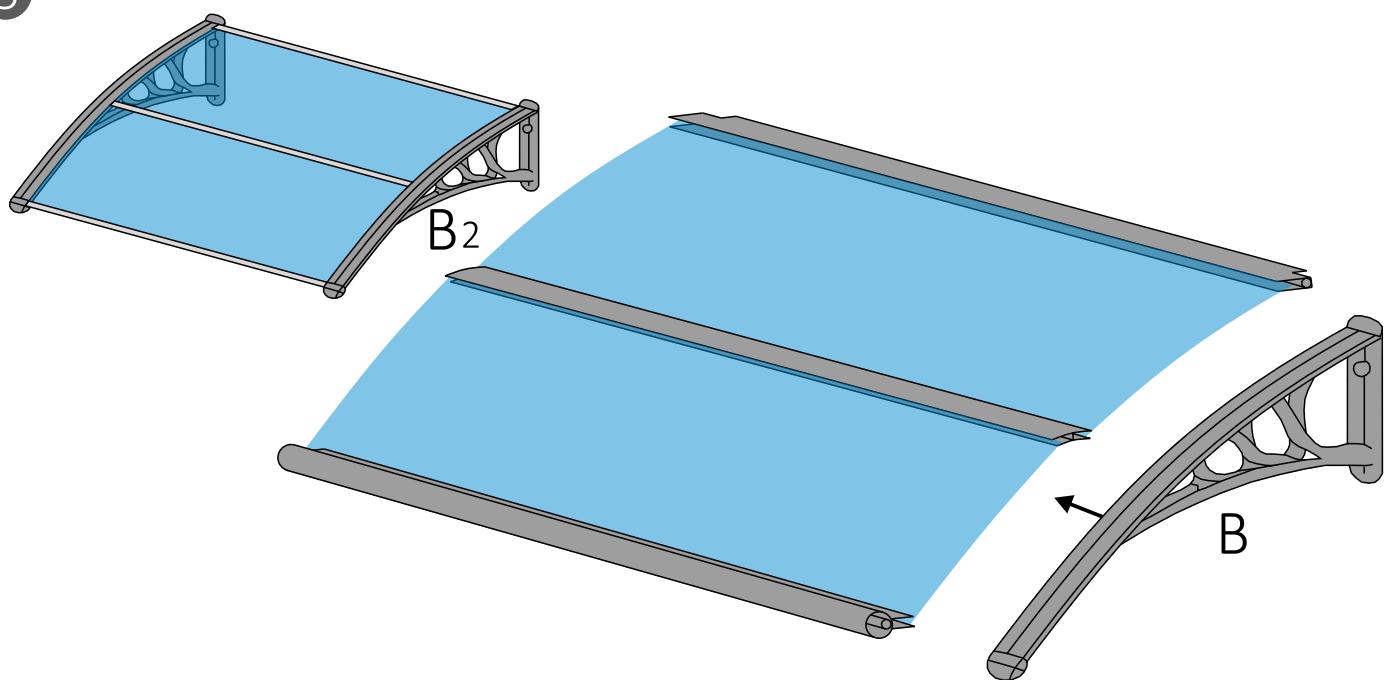
Attach the holder (B) to the front profile (D) and the Wall profile (E) by screws (F) and the inner holder (B2) by screws (G) from the bottom to the front profile (D) and the Wall profile (E)

4



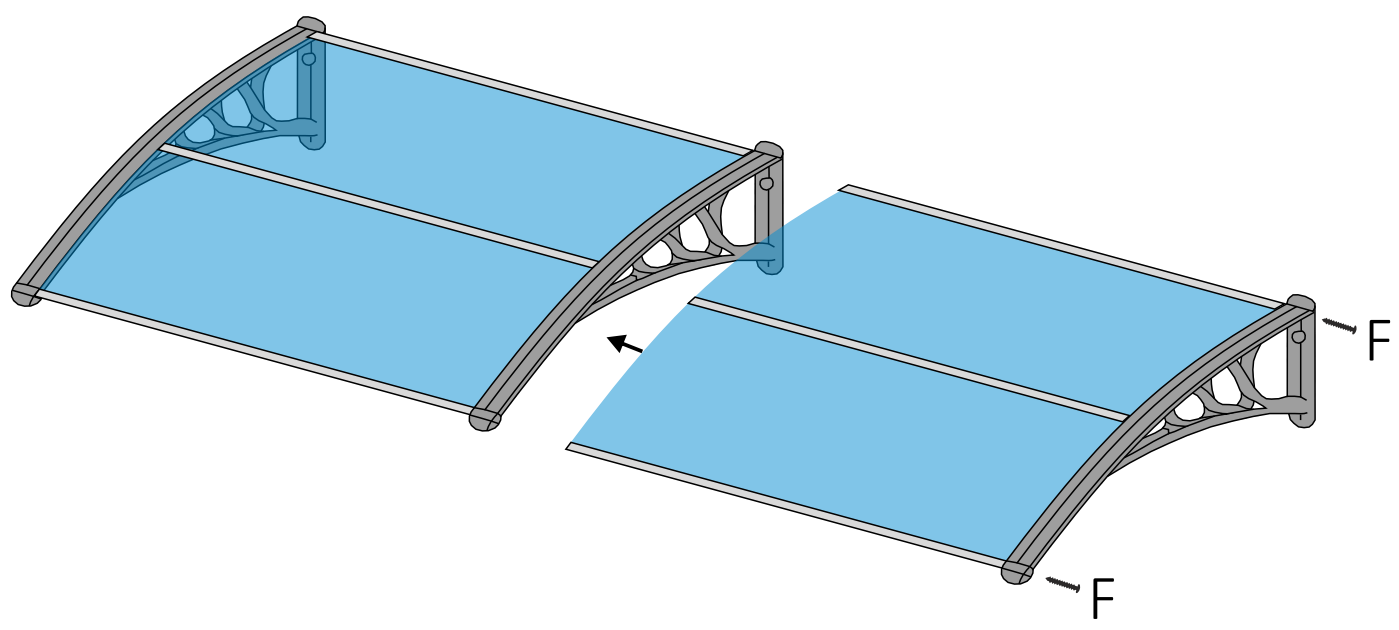
Place the roof plates (2XA) on the connection profile (C) and a front profile (D) a wall profile (E)

5



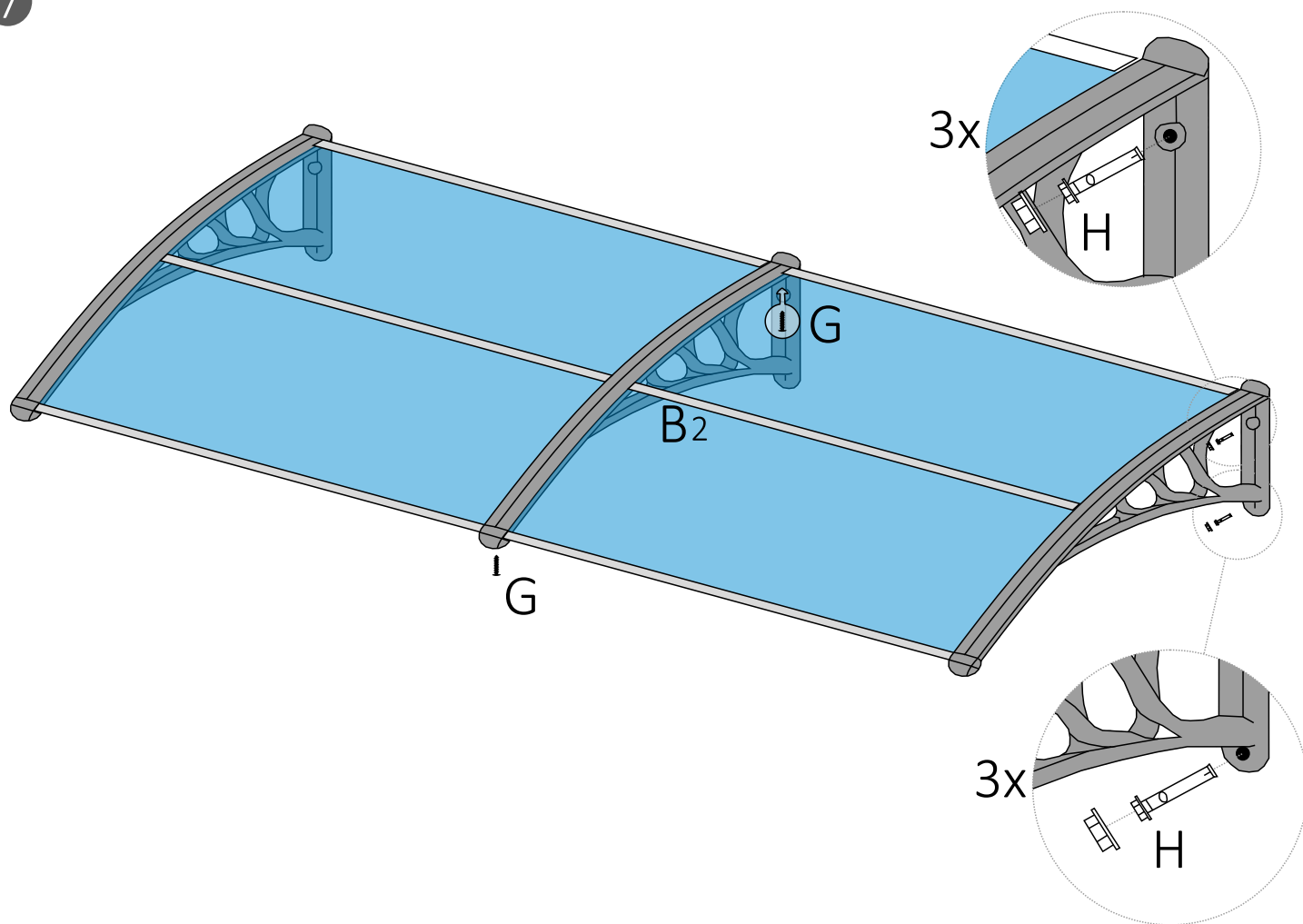
Place the holder (B) on the roof plates (A)

6



Fasten the holder (B) by screws (F) to the front profile (D)and wall profile (E)
and place the second part of the canopy on the first part

7



Fasten the inner holder (B2) by screws (G) from the bottom to the front profile (D) and the Wall profile (E)

Tighten all the screws, and fasten the awning to the wall by (6XH).